

**SOLAMAGIC**

GB

## **Installation and operating manual S2**

Infrared radiator 2500 W  
with multi-point switch,  
IP65 (IR05007-WSI)

# Contents

Safety and operating instructions ..... 19

Scope of supply.....21

Installation instructions.....21

Initial operation.....24

Wireless remote control .....24

Operation .....28

Changing the battery of the hand-held transmitter ..... 30

Cleaning instructions.....30

Guarantee conditions .....31

Additional instructions .....32

## Appendix

- Technical data AX
- Safety distances AX
- Radiation pattern AX

## Safety and operating instructions

Please observe the following instructions:

Carefully read through the instruction manual prior to installation and store the manual safely.

This heater can be used by children aged 8 years or older and persons with reduced physical, sensory or mental capabilities or lack of experience and knowledge, provided they have been given supervision or instruction regarding the safe use of the device and that they understand the resulting risks. Children must not play with the heater.

Children younger than 3 years old must be kept away from the heater unless they are continuously monitored.

Children older than 3 and younger than 8 years may only switch the heater on and off if they are monitored or have been taught how to use the heater safely and have understood the resulting dangers; this provided that the heater is placed or installed in its normal place of use. Children older than 3 and younger than 8 years must not plug the heater into the wall socket, adjust the heater, clean the heater and/or perform any user maintenance.

**Caution – Some parts of this product can become very hot and cause burns. Special care is required when children and vulnerable persons are present.**

- Installation tasks must be properly carried out by a qualified person in accordance with VDE 0100 installation instructions (if applicable, also including Parts 559 and 701).
- When carrying out any work, always switch the system to a zero-volt state (disconnect mains plug; circuit-breaker off). Switch on the heater only after all the cables have been completely connected.
- The heater must be protected with at least a 16A (slow) fuse.
- Do not install directly under sockets, junction boxes, switches or electrical cabling.
- Electrical sockets may only be located in the positions specified in Appendix 2.
- Do not mount the radiant heater close to curtains or combustible materials in accordance with VDE 0100, Part 559.
- The device meets the requirements for protection type IP 65, if all connectors (device plug, plugs for expansion components) are plugged in and it is appro-

ved for indoor and outdoor use. The connectors need to remain plugged in if the device is used outdoors.

- If being used in wet rooms, observe the installation instructions, VDE 0100, Part 701. Heaters must be installed in bathrooms such that the switch cannot be touched by a person in the bath or under the shower.
- Never leave the heater unattended.
- Do not cover the heater when it is switched on or still hot; there is a risk of fire.
- The wireless receiver is equipped with an overtemperature protection which will temporarily limit the heating function in the event of an overtemperature.
- This heater is not equipped with a room temperature control unit and must not be used in small rooms that are inhabited by people who cannot leave the room independently, unless constant supervision is ensured.
- To adjust the radiation direction, switch the heater off and allow to cool.
- Do not look directly at an operating IR halogen lamp for a long period and from a short distance.
- IR halogen lamps are sensitive to direct skin contact (do not touch with bare fingers). Grease or other contamination can be removed with an alcohol-soaked cloth.
- To maintain the service life of the IR halogen lamp, it must be protected against vibrations, impacts and contaminants such as acids, ammonia, cement dust, etc.
- The IR halogen lamp must be protected against mechanical loading. It must be replaced if changes (dark spots, deformation) become apparent or the rated life time is reached.
- Repair work (replacement of a defective power lead, a defective heating tube or similar) must only be carried out by the customer service of the manufacturer or an authorised dealer.
- Cleaning and maintenance work must only be carried out by adults with sufficient expertise.

## Scope of supply

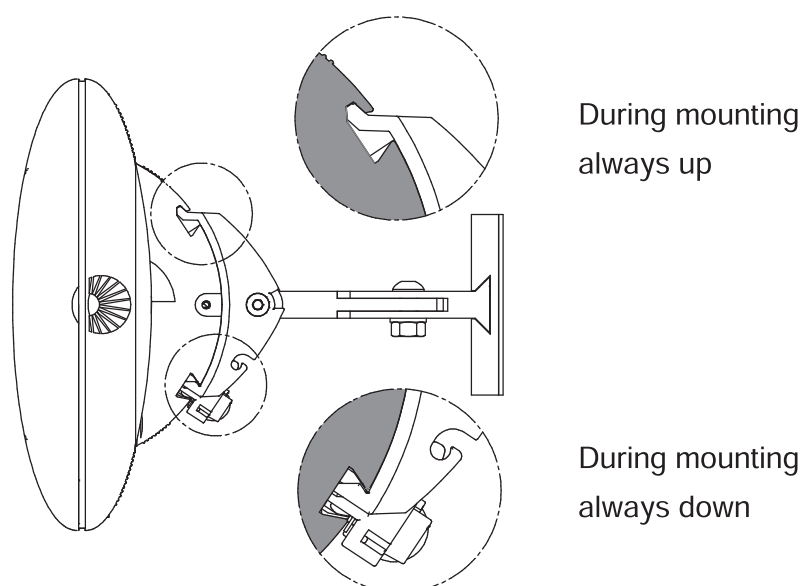
IR heat radiator with mains lead

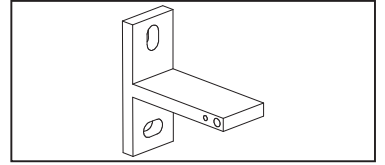
Mounting bracket including fastenings (supplied)

Manual

## Installation instructions

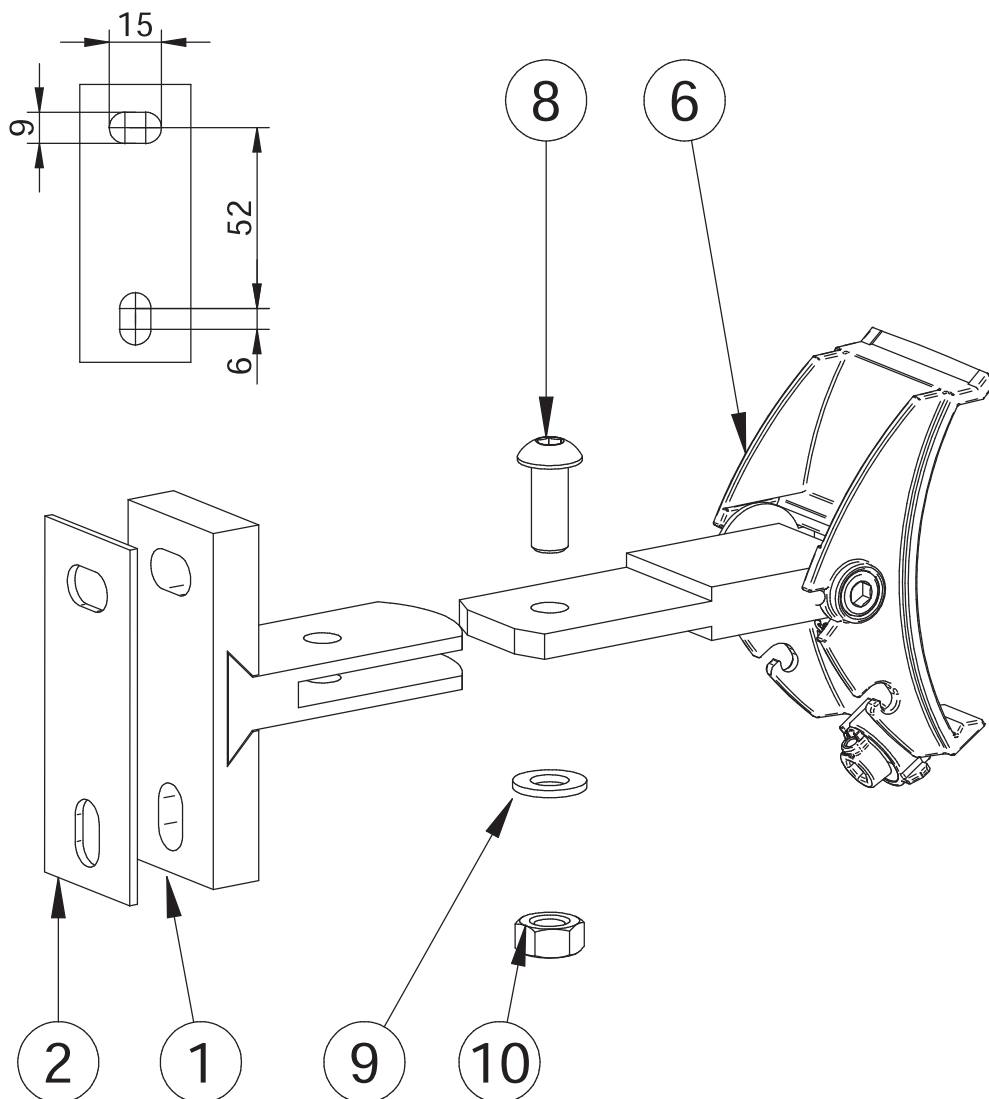
- Install and operate the radiator only in horizontal position!
- The radiator must only be installed using suitable fastenings (e.g. use M6x60 bolts with steel anchors in a stone or concrete substrate) on firm, load-bearing, normally combustible, flame-resistant or non-combustible substrate.
- If radiator and socket are not installed on the same surface, it must be ensured that the field of radiation cannot be directed towards the socket. Failing this, it must be ensured that the socket cannot heat up to more than 70°C during heater operation.
- The safety distances given in Appendix 2 must be observed.
- The area in which the heat acts can be estimated from the radiation diagram (Appendix 3). The diagram shows the sizes of the irradiated areas at various distances from the radiant heater and in each case the maximum radiation intensity.
- Installation height: at least 1.80 m above the ground
- The radiator must be installed with the hammer groove upwards.
- The hammer groove can be seen opposite to the connecting lead in view of the housing side.





## 1. Installing the T-bracket

- Install the S2 radiant heater using 2 T brackets at a separation of 400 mm while observing the safety distances and safety instructions (see Appendix 2).
- Secure the T-bracket (1) with the silicone plate (2) below it on the fastening surface with 2 screws each according to the following figure.

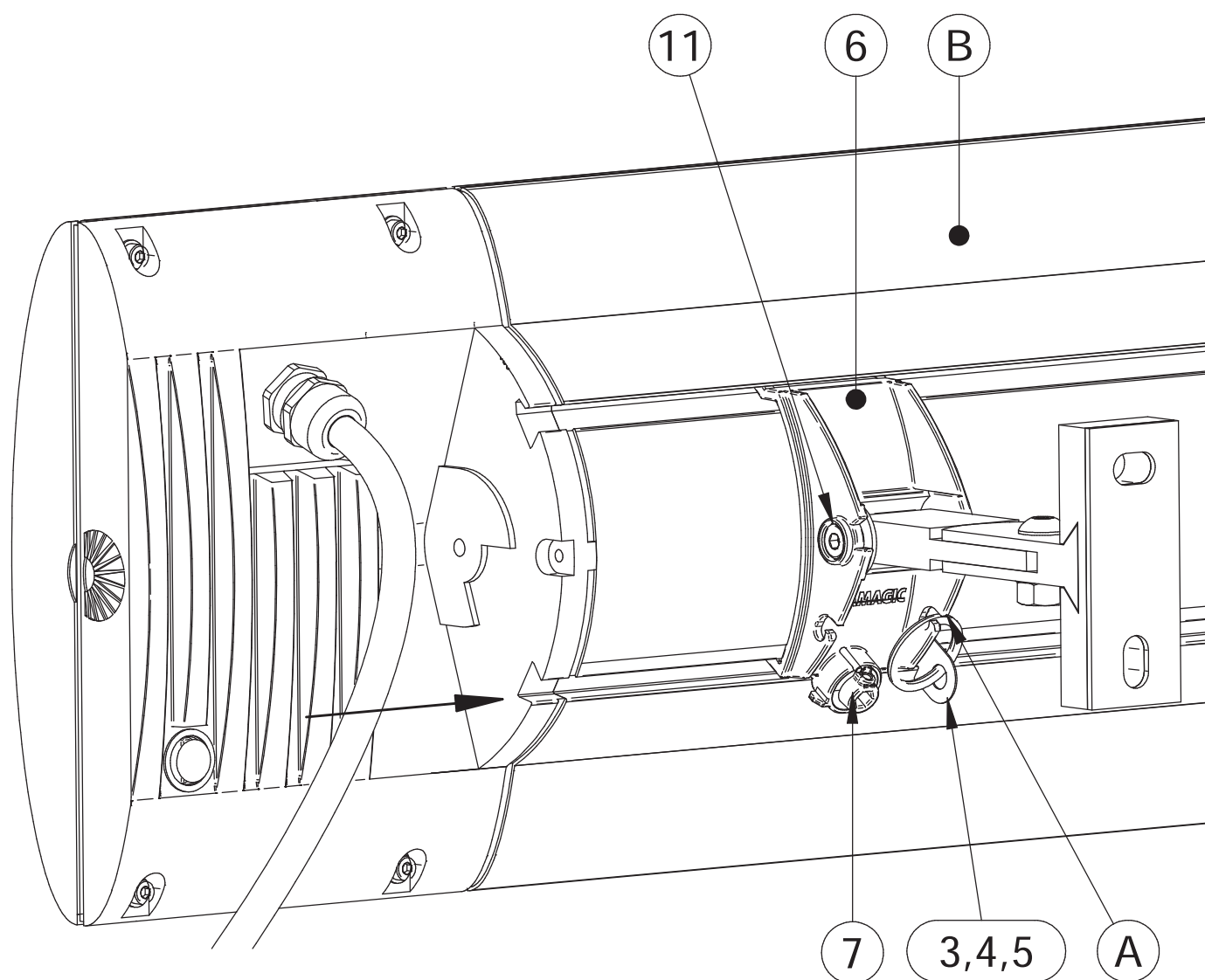


## 2. Installing adapter claws on the T-brackets

- Push the adapter claws (6) into both T-brackets (1) mounted on the fastening surface. Insert the M8x20/5 mm AF screws (8) into the holes. Insert the washer (9) and tighten the M8/13 mm AF nuts (10).

### 3. Installing the heater on the wall mounting

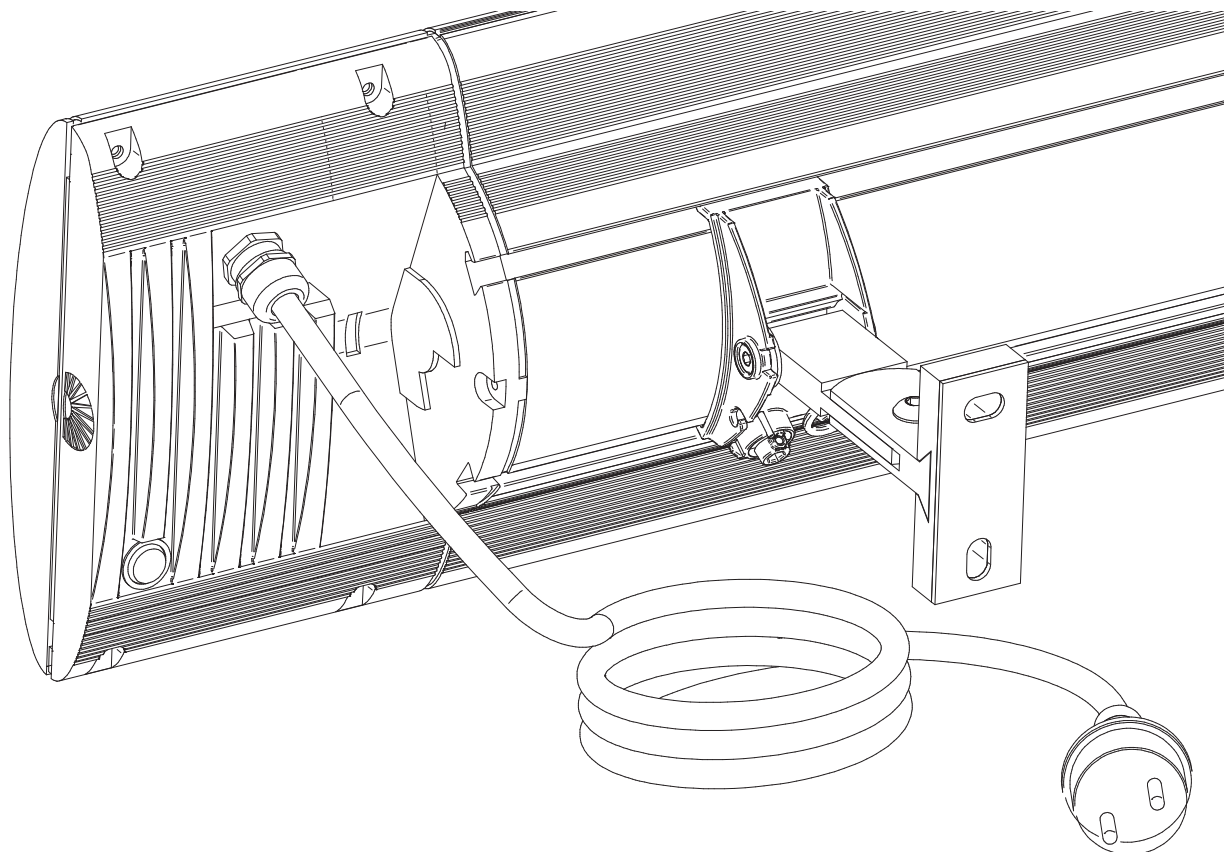
- Push the securing lugs (3) with the ring (4) from the left side into the dovetail groove for approx. 530 mm and 130 mm.
- Tighten the 3.5 x 6.5 screw (5).
- Mount the heater (B) in the adapter claws (6).
- Use a 5 mm Allen key to tighten the eccentric tensioner (7) in a clockwise direction; each adapter claw must be firmly connected to the heater and free from play.
- Fit each ring (4) of the securing lug into the cutout (A)
- To set or adjust the direction of radiation, use a 5 mm Allen key to loosen the screws (11), shift the heater into the required direction and re-tighten the screws (11).



## Initial operation

**Warning: Completely remove the transport protection on the reflector.**

Make the connection to the power supply (Schuko/mains plug)



## Wireless remote control

For the device to be operated, you need the SOLAMAGIC FUS6 wireless remote control which can be purchased from your distributor.

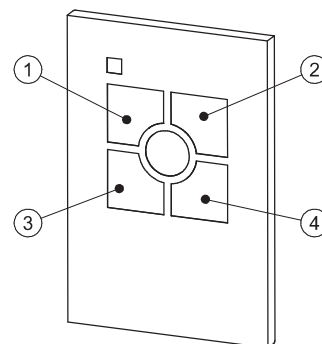
Assign a key on the hand-held transmitter for heat regulation.

**Key assignment:** Keys 1-4: Wireless channel keys

**Remote control:** Transmission frequency: 433.92 MHz

Battery: CR 2032, 3 volt

Range: approx. 20 m with an unimpeded path through air





## Programming the wireless remote control

- Important:**
- Only those heaters should be connected to the mains that are to undergo programming to a hand-held transmitter key. This allows the programming of several receivers (multi-power). Previously programmed devices can remain connected to the mains.
  - Use of other components with a wireless-signal interface (e.g. wireless PC mouse and keyboard) may result in faulty operation of the wireless receiver. Switch off all other wireless components, particularly when programming.
  - The wireless receiver is briefly disabled after command entry using the hand-held transmitter.

### Initial

**programming:** The heater to be programmed is connected to the mains. Brief pressing of the desired key 1 to 4 on the hand-held transmitter triggers wireless receiver programming (heating tube starts at low level). Repeated pressing of the same key confirms the programming (heating tube switches to top level).  
If desired, time-out switching can be programmed by double-clicking: If the programmed key is pressed briefly twice in succession, the heater will switch off in 30 minutes. The heating tube activates for 2 seconds. Double-clicking again increases the heating duration to 60 minutes (heating tube illuminates for 4 seconds). Double-clicking again increases the shut-down to 90 minutes (heating tube illuminates for 6 seconds). Double-clicking once more switches the time control off. The programming cycle for time-out switching begins again from the beginning. Programming is ended by long pressing of the programmed key of the hand-held transmitter. The heating tube confirms that programming is completed by operating for two seconds.

## Multiple

programming: It is possible to program radiant heaters on up to eight keys on one or more hand-held transmitters (multi-control).

Connect the relevant heaters to the mains. As described under „Initial programming“, the key to be programmed is briefly pressed (heating tube starts at low level) and confirmed through repeated pressing (heating tube starts at low level). Program the next key by pressing (heating tube starts again at low level) and confirm (heating tube starts at low level). This process is repeated until all the desired buttons on all the desired hand-held transmitters are programmed.

The multiple programming is ended by extended pressing of a key on one hand-held transmitter (heating tube extinguishes and restarts for 2 seconds).

## Safety

switch-off: The radiant heater always remains switched off after a power outage.

## Reprogramming

### Selective

#### deletion:

Previously programmed radio receivers can be deleted and reprogrammed using the corresponding hand-held transmitter. To do this, press and hold buttons 1 and 2 of the hand-held transmitter simultaneously (longer than 3 seconds) until the red control lamp on the hand-held transmitter illuminates. Deletion is now enabled. Now release the buttons and directly thereafter briefly press that key with which the wireless receiver was operated up until now.

The control lamp on the hand-held transmitter flickers briefly when the deletion signal is sent. The wireless receivers enter the on-state and then switch off and on again.

These receivers can now be reprogrammed as described under „Programming“ above.

### Complete

#### deletion:

#### Note:

**This action deletes all receivers that are within range of the hand-held transmitter.**

Programmed wireless receivers can also be deleted (reset) upon loss of a hand-held transmitter or if it becomes defective. The deletion process is only possible within 180 seconds of connection to the mains of the receiver in question. (If necessary, disconnect the receiver from the mains and then reconnect.) To delete, hold buttons 1 and 2 of the hand-held transmitter pressed down (longer than 3 seconds). When doing so, the red control lamp on the hand-held transmitter only illuminates once deletion is enabled. Now release the keys and directly thereafter briefly press both keys simultaneously.

These receivers can now be reprogrammed as described under „Programming“ above.

# Operation

## via wireless remote control

### Switching

on/off: Brief pressing of the programmed wireless channel button on the hand-held transmitter switches the connected radiant heater on or off.

### Short-term

heating: Double-clicking the programmed wireless channel key switches the radiant heater on for 15 minutes and then automatically switches it off again.

Heating level: Extended pressing of the programmed key on the hand-held transmitter switches the heat output up and down between three levels (33, 66 and 100%).

### Memory-

function: Upon switching back on, a short press of the key recalls the last heating level.

### Timed

switch off: If a timed switch-off has been activated in the programming, the radiant heater always switches off automatically after the specified time. The radiant heater signals as follows after the activating the set residual run time:

Signal duration 2s - 30 minutes residual run time

Signal duration 4s - 60 minutes residual run time

Signal duration 6s - 90 minutes residual run time

Synchronisation: If multiple radiant heaters are controlled using the same hand-held transmitter button, faults in the wireless transmission path can result in different states. For synchronisation, use the function „Heating level" to initially set all radiant heaters in switched-on state. Then switch off all receivers by a briefly pressing the key. The „Heating level" function can now be used to simultaneously set again all the actuated receivers.

## Direct operation with device button

The radiator can be directly operated via the device button on the device back as soon as the wireless remote control is programmed. The following functions are available:

### Switching

on/off: Pressing the device button for a short time switches the connected radiant heater on or off.

Heating level: Pressing the device button for an extended time switches the heat output up and down between three levels (33, 66 and 100%).

### Memory-

function: Upon switching back on, a short press of the key recalls the last heating level.

**Warning: Risk of burns from hot housing parts.**

## Changing the battery of the hand-held transmitter:

**Warning: Do not touch the battery directly with the skin.**

Open the housing cover. Push the battery out sideways from the clamped position and remove. Insert the new battery (plus to the top) and reassemble the unit in reverse order.



## Cleaning instructions

- Disconnect the device from the mains.
- Allow the casing to cool.
- Wipe the casing clean with a moist, soft cloth. Do not use any detergent.

**Never immerse the device in liquids nor spray-wash it.**

**Possible discolouration of the protective grille due to heat effects results from normal physical processes and is not a defect.**

## Guarantee conditions for S2 devices

**We guarantee this heater in accordance with the following conditions:**

1. We will repair, free of charge, in accordance with the following provisions, damage or defects to the heater, which can be proven to be due to a factory defect, if they are reported to us immediately upon discovery on the heater and within 5 years of delivery to the end user. The duration of the guarantee for the heating tube is 12 months up to a maximum 5000 operating hours within this period. The guarantee does not cover minor deviations from the design properties that are irrelevant for the value and usability of the heater or damage caused by abnormal environmental conditions or unsuitable operating conditions. Likewise no guarantee can be given if the damage or defects on the heater arise from faulty installation or failure to observe the operating instructions.
2. The guarantee is fulfilled in that defective heaters will be repaired, or replaced by flawless heaters, at our discretion, and free of charge. Heaters, for which a performance of guarantee is claimed with reference to this guarantee, must be handed over or sent to the manufacturer or an authorised service centre. The sender is liable for the transport risk associated with the sending. The shipping, transport, travel and labour costs of the end user are not refunded. Proof of purchase with the date of purchase and/or delivery date plus a detailed description of the fault must always be presented. Replaced heaters become our property.
3. Any guarantee claim becomes void if repairs or adjustments are made by persons who are not authorised by us or if our heaters are provided with spare parts, supplementary parts or accessories that are not original parts, and have caused a defect. The same applies if the name plate or the device number has been removed or rendered illegible.
4. Excluded from this guarantee are damages or defects from incorrect connection, improper handling, mechanical damage, particularly to the heating tube, and failure to observe the installation and operating instructions. We accept no liability for consequential damage.

5. Guarantee performances do not extend the guarantee period nor do they initiate a new guarantee period. The guarantee period for any fitted spare parts ends with the guarantee period for the device as a whole. If a defect or deficiency cannot be eliminated or the rectification of defects is declined by us or unreasonably delayed, an equivalent replacement will be delivered, free of charge, upon request of the customer. In case of replacement, we reserve the right to enforce a reasonable usage charge for time of use up until the time of replacement.
6. The guarantee only comes into force when the customer has registered their device with the manufacturer by means of the guarantee card.

**These guarantee conditions apply from 01/01/2014 for heaters purchased in a country of the European Union, even if you use it in a foreign country. The guarantee conditions have no effects on the statutory guarantee claim.**

## **Additional instructions**

Subject to technical changes.

For more products and accessories  
from **SOLAMAGIC®**, see:

**[www.SOLAMAGIC.com](http://www.SOLAMAGIC.com)**



Please note the following terminology in the appendix

#### Appendix 1: Technical data

①	-	Power (W)	⑤	-	Dimensions L x W x H (mm)
②	-	Power connection	⑥	-	Weight (kg)
③	-	Protection type	⑦	-	Service life (t)
④	-	Degree of protection	⑧	-	Distance

#### Appendix 2: Safety distances

①	-	Wall mounting, horizontal	A1	-	Distance to heated surface
②	-	Minimum distances in mm	A2	-	Distance to the socket
③	-	Heater power	A3	-	Distance to the side wall
④	-	Ceiling installation	A4	-	Distance to overhead
a	-	Adjustment range	A5	-	ceiling
D	-	Floor / heater distance			Distance to the near wall

#### Appendix 3: Radiation diagram

①	-	Maximum capacity	②	-	Heated surface
---	---	------------------	---	---	----------------